

Breathing Air Purification Modules



Simple reliable replacement purifier modules for existing breathing air systems

Is your breathing air system difficult and costly to maintain or no longer supported by the manufacturer?

Until now, the only option was a costly and difficult decision to replace the entire breathing air system including the dryer, filters, purifier and monitor. Not any more. Simply replace the existing purifier with the nano NBM breathing air purifier module and you are back in business.

These free standing purifiers are small, simple to operate and easy to install. With unique catalyst purifier cartridges that are easy to replace, these compact and cost effective modules provide reliable long-term performance in a state of the art design.

The nano NBM requires no power, needs no controls and can be either floor or wall mounted for optimum installation flexibility. The multi-stage disposable purification cartridges include an inlet diffuser, a mixed bed purifier to remove odor, taste and Carbon Monoxide (CO), and a 1.0 micron particulate outlet filter for a long service life with minimum maintenance.

With flow rates from 120 to 960 scfm, a corrosion resistant extruded aluminum design and optional CO monitor, the nano NBM breathing air purifier module will give your breathing air system a breath of fresh air.

Applications Include:

Abrasives Blasting

Paint & Finishing

Confined Spaces

Hazardous Locations

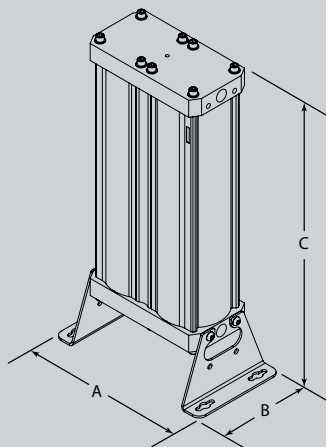
nano-purification solutions

11330 Vanstory Drive
Huntersville, NC 28078
USA

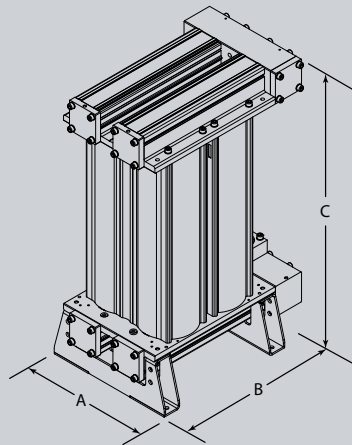
Tel: (704) 897-2182
Fax: (704) 897-2183
Email: support@n-psi.com
web: www.n-psi.com

Technical Specification

Model	Inlet & Outlet	Rated Flow ⁽¹⁾		Dimensions (inches)			Approx. Weight	Service Kit ⁽²⁾	
	NPT (f)	scfm	Nm ³ /h	A	B	C	lbs	Part No.	Qty
NBM 120	1"	120	203	17.3	9.7	24.6	84	NBM SK 120	1
NBM 240	1"	240	407	17.3	15.0	31.7	100	NBM SK 240	1
NBM 480	2"	480	815	15.7	22.6	34.3	227	NBM SK 240	2
NBM 720	2"	720	1223	15.7	21.7	34.3	313	NBM SK 240	3
NBM 960	2 1/2"	960	1630	15.7	28.3	34.3	397	NBM SK 240	4



NBM 120 & 240



NBM 480 to 960

specifications

maximum working pressure	174 psig
recommended operating temperature range	35°F to 86°F
estimated cartridge life	8000 hrs ⁽³⁾

inlet air quality requirements⁽⁴⁾

maximum particulate size	0.5 micron
maximum pressure dew point	-40°F pdp
maximum oil content	0.01 ppm
maximum CO content	50 ppm
maximum CO ₂ content	500 ppm

performance

maximum outlet air CO content	5 ppm
-------------------------------	-------

(1) At inlet conditions of 100 psig and 100°F, and 100°F ambient temperature. For all other operating conditions contact support@n-psi.com for sizing assistance.

(2) Includes purification cartridges (including integral inlet diffusers and outlet particulate filters) and all o-rings.

(3) Provided as an estimate only. Cartridges must be replaced as required to maintain adequate breathing air quality in accordance with all applicable codes and regulations.

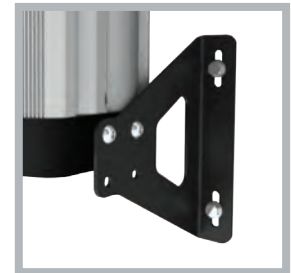
(4) If the air doesn't meet these conditions, contact support @n-psi.com to confirm the additional treatment required.



Optional CO Monitor (Recommended)



Easy to replace purifier cartridges



NBM 120 & 240 can be wall mounted

Also available:



BAC portable breathing air cases



BAP breathing air panels



NBA modular breathing air systems